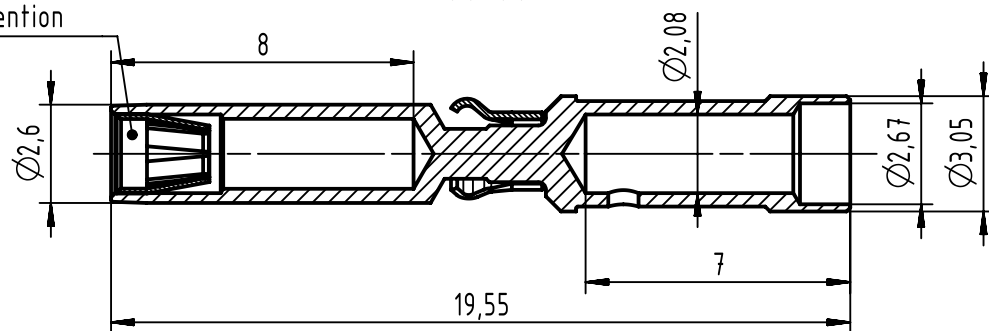


standard spring for contact retention

A-A



stripping length: 6mm

materials:

contact body: brass

standard spring: CuBe2

retention clip: stainless steel

plating:

contact body: Ni/Sn

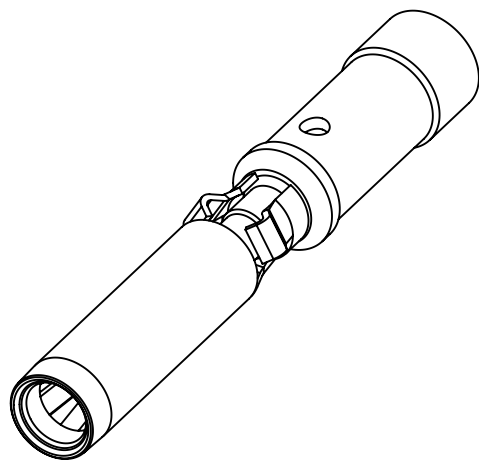
standard spring: Ni/Au


retention clip: w/o.

tools:

crimping tool: 09 46 800 0000

contact insertion tool: 09 46 800 0099



| | | | | | | | |
|---|---|---|---------------------------|-----------------------------|--------------------|--|-------------|
|  | All rights reserved Department EL PD | All Dimensions in mm Original Size DIN A4 | | Scale 5:1 | Free size tol. | Ref. Sub. TB 09 46 500 0402 / Mod. 36242 / 09.05.2011 | |
| | | Created by ZWAHR | Inspected by ELLERMANN | Standardisation HOFFMANN | Date 2018-08-27 | State Final Release | |
| HARTING Electronics GmbH D-32339 Espelkamp | | Title HPP V4 crimp contact female 1.5mm ² (AWG 14/16) | | | | Doc-Key / ECM-Nr. 100142481/UGD/003/C 500000137418 | |
| | | Type TB | Number 09465000402 | | | Rev. C | Page 1/1 |